

29F0418-1SR-10

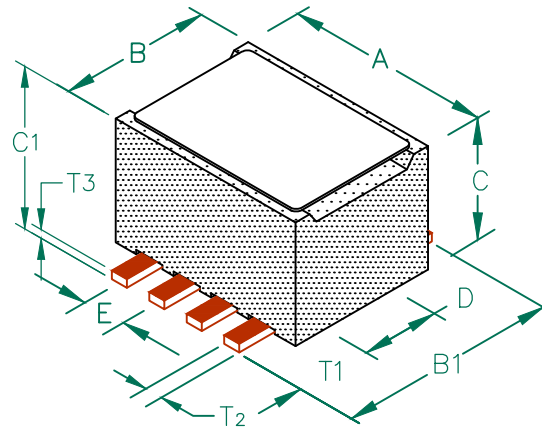
UNCONTROLLED DOCUMENT

PHYSICAL DIMENSIONS:

A	6.10 [.240]	+ 0.13 [.005]
B	4.50 [.177]	+ 0.08 [.003] - 0.10 [.004]
B1	7.04 [.277]	+ MAX
C	4.19 [.165]	+ 0.10 [.004]
C1	4.83 [.190]	+ MAX
D	2.24 [.088]	+ 0.08 [.003]
E	1.27 [.050]	+ 0.13 [.005]

WIRE DIMENSIONS:

T1	2.16 [.085]	+ 0.25 [.010]
T2	0.50 [.020]	+ TYP.
T3	0.25 [.010]	+ TYP.

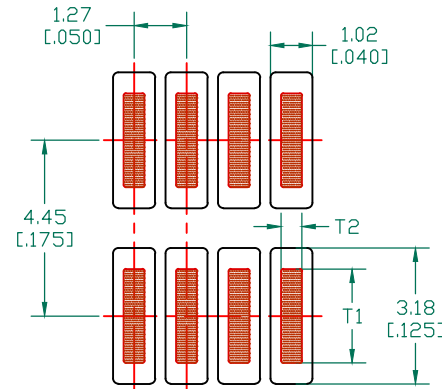


ELECTRICAL CHARACTERISTICS:			
	Z @ 100MHz (Ω)	DCR (Ω)	Rated Current
Nominal	119		
Minimum	90		
Maximum	149	0.01	6,000 mA

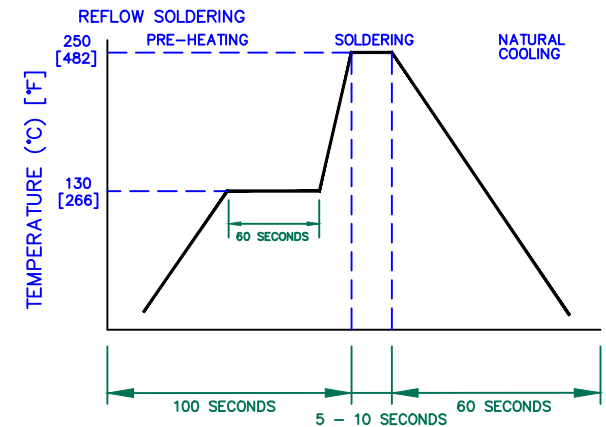
NOTES: UNLESS OTHERWISE SPECIFIED

1. TAPED AND REELED per CURRENT EIA SPECIFICATIONS 13" REELS, 900 PCS/REEL.
2. COMPONENTS SHOULD BE ADEQUATELY PREHEATED BEFORE SOLDERING.
3. REF. CARRIER TAPE SPECIFICATION # CART 418-13.
4. TERMINATION FINISH IS 100% TIN.
5. OPERATION TEMPERATURE (INCLUDING SELF-HEATING): -40 ~ +125°C.

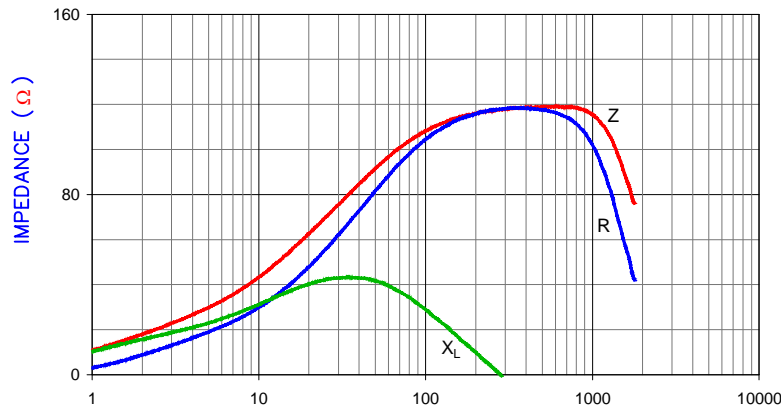
LAND PATTERNS FOR REFLOW SOLDERING



RECOMMENDED SOLDERING CONDITIONS



|Z|, R, AND X vs. FREQUENCY



Z R X_L



DIMENSIONS ARE IN mm (INCHES).				This print is the property of Laird Tech. and is loaned in confidence subject to return upon request and with the understanding that no copies shall be made without the written consent of Laird Tech. All rights to design or invention are reserved.		Laird	
E	ADD NOTE 5	08/30/12	QU	PROJECT/PART NUMBER:	REV	PART TYPE:	DRAWN BY:
D	UPDATE COMPANY LOGO	10/21/08	JRK	29F0418-1SR-10	E	ASSEMBLY	JRK
C	UPDATE COMPANY LOGO	05/01/07	JRK	DATE:	SCALE:	NTS	SHEET:
B	CHANGE TOLS ON E DIMS, ADD ROHS	03/19/07	JRK	04/27/04			
A	ORIGINAL DRAFT	04/27/04	JRK	CAD #	TOOL #		
REV	DESCRIPTION	DATE	INT	29F0418-1SR-10-E-1			1 of 2