

28F0121-0SR-10

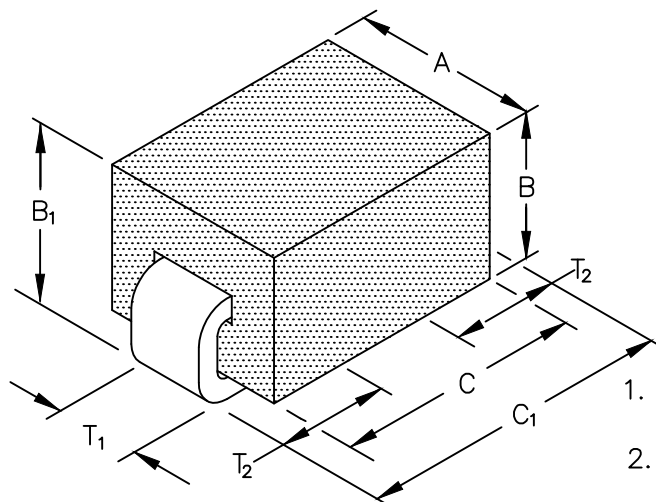
UNCONTROLLED DOCUMENT

PHYSICAL DIMENSIONS:

- A 3.05 [.120] ± 0.08 [.003]
- B 2.54 [.100] ± 0.08 [.003]
- B₁ 3.05 [.120] ± MAX
- C 4.06 [.160] ± 0.15 [.006]
- C₁ 5.08 [.200] ± MAX

WIRE DIMENSIONS:

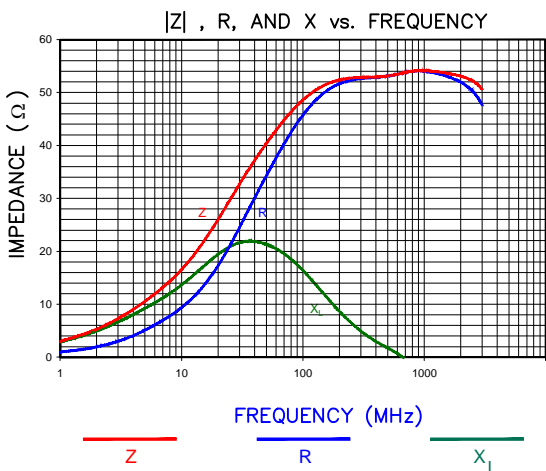
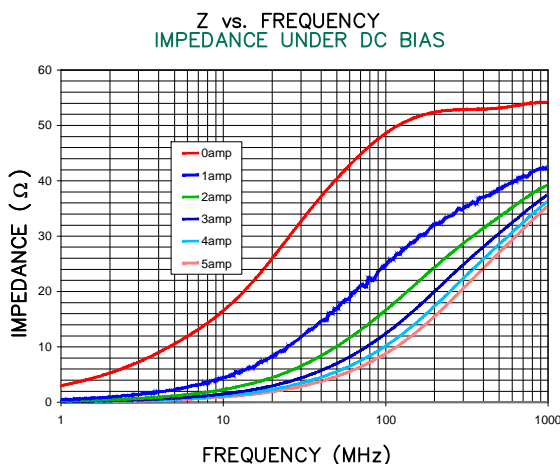
- T₁ 1.27 [.050] ± 0.05 [.002]
- T₂ 1.52 [.060] ± 0.51 [.020]



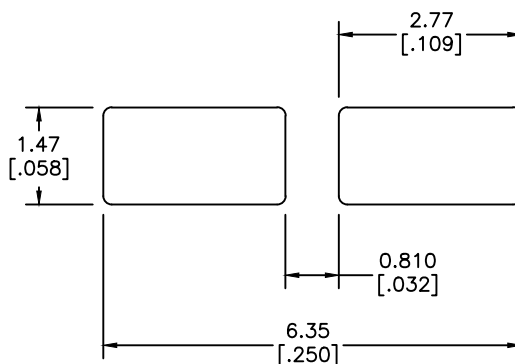
ELECTRICAL CHARACTERISTICS:		
Z @ 100MHz (Ω)	DCR (Ω)	Rated Current
Nominal	48	
Minimum	36	
Maximum	60	10,000 mA

NOTES: UNLESS OTHERWISE SPECIFIED

1. TAPED AND REELED per CURRENT EIA SPECIFICATIONS 13" REELS, 2500 PCS/REEL.
2. COMPONENTS SHOULD BE ADEQUATELY PREHEATED BEFORE SOLDERING.
3. REF. CARRIER TAPE SPECIFICATION # CART121-03.

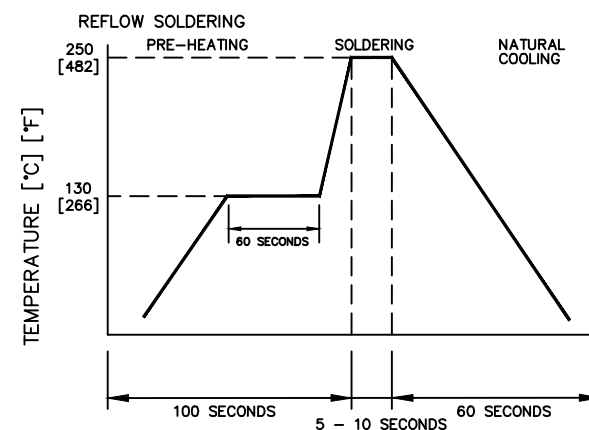


LAND PATTERNS FOR REFLOW SOLDERING



(For wave soldering, add 0.762 [.030] to this dimension.)

RECOMMENDED SOLDERING CONDITIONS



DIMENSIONS ARE IN mm (INCHES).

This print is the property of Laird Tech. and is loaned in confidence subject to return upon request and with the understanding that no copies shall be made without the written consent of Laird Tech. All rights to design or invention are reserved.



J	UPDATE COMPANY LOGO	04/23/15	QIU	PROJECT/PART NUMBER: 28F0121-0SR-10	REV J	PART TYPE: ASSEMBLY	DRAWN BY: JRK
H	UPDATE COMPANY LOGO	10/24/08	JRK				
G	CORRECT TYPO ERROR IN ELECT TABLE	11/26/07	JRK				
F	UPDATE LANDPATTERN ADD ROHS SYMBOL	08/09/07	JRK				
E	UPDATE COMPANY LOGO	04/19/07	JRK				
D	CHANGE RATED CURRENT FROM 5000mA	02/17/04	JRK	DATE: 11/13/02	SCALE: NTS	SHEET: 1 OF 2	
REV	DESCRIPTION	DATE	INT	CAD # 28F0121-0SR-10-1-J	TOOL # -		

